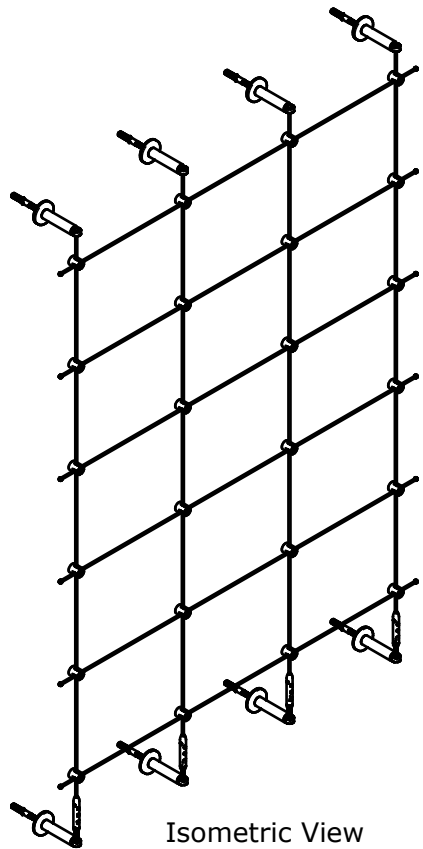
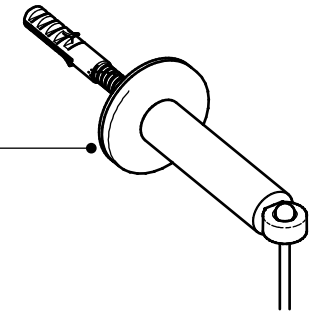
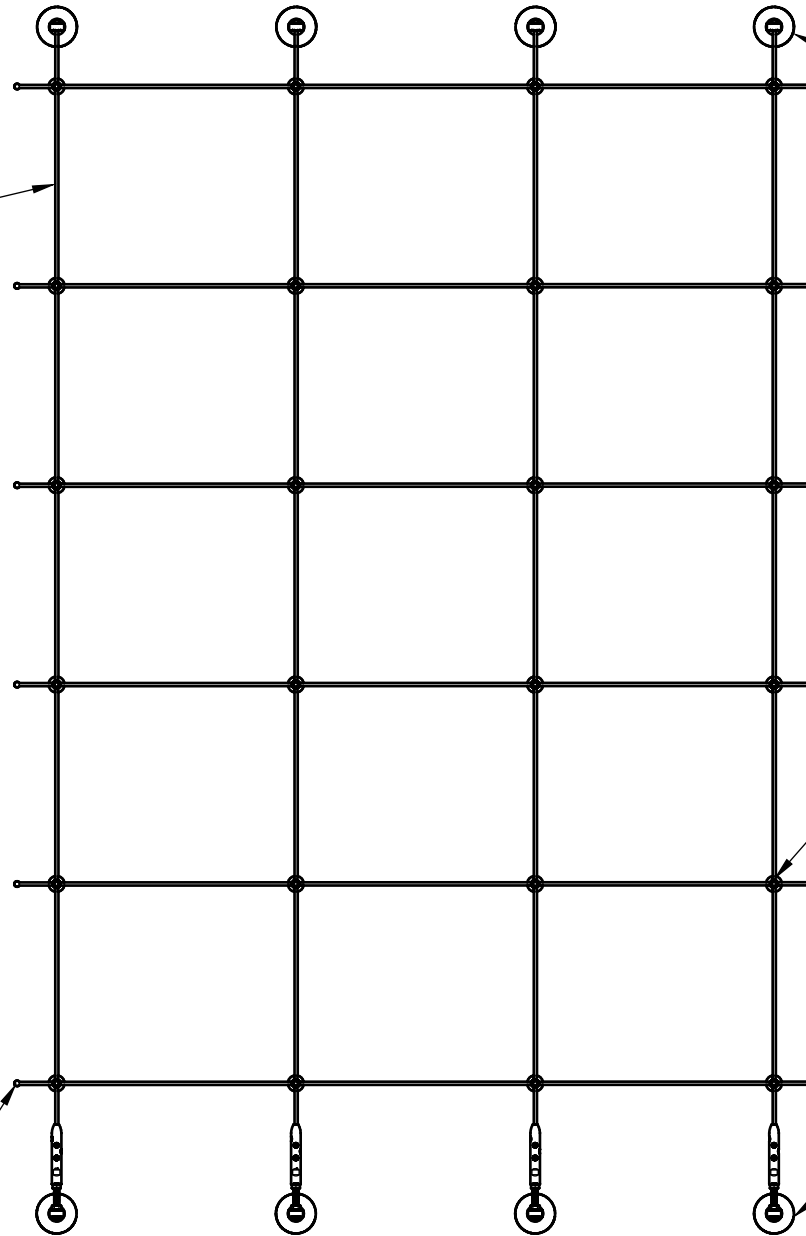


4mm A4-AISI 316 Stainless Steel Cable
(Max Length without Intermediate Support
Pillar = 2 metres)

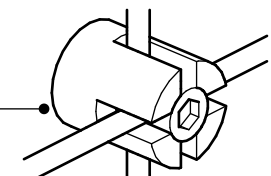


4mm A4-AISI 316 Stainless
Steel Rod with Safety Ball Ends
(Max Single Length = 3 metres)

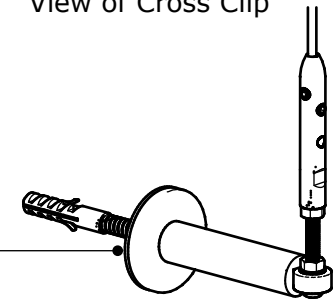


Stainless ball factory fitted onto
cable. Other end of cable left
plain to fit into bottom tensioner.

250 mm Recommended Horizontal
Rod Spacing



View of Cross Clip



View of bottom tensioner

300 mm Recommended Maximum Vertical Cable Spacing